

## APPLICATION

Material handling accessories are used for loading and unloading AMSCO® 630LS Steam Sterilizer and for transferring goods to and from processing areas.

## DESCRIPTION

### Loading Car

Loading car is available in 42" (1066 mm), 54" (1371 mm), and 66" (1676 mm) models.

All welded stainless-steel frame with modular shelves accommodates numerous load sizes and configurations. Load retaining side gates and bearing-mounted wheels are constructed of stainless steel. Easy-to-remove side gates fit into slots along frame of the loading car. Car wheels are flanged to fit on tracks in a sterilizer chamber.

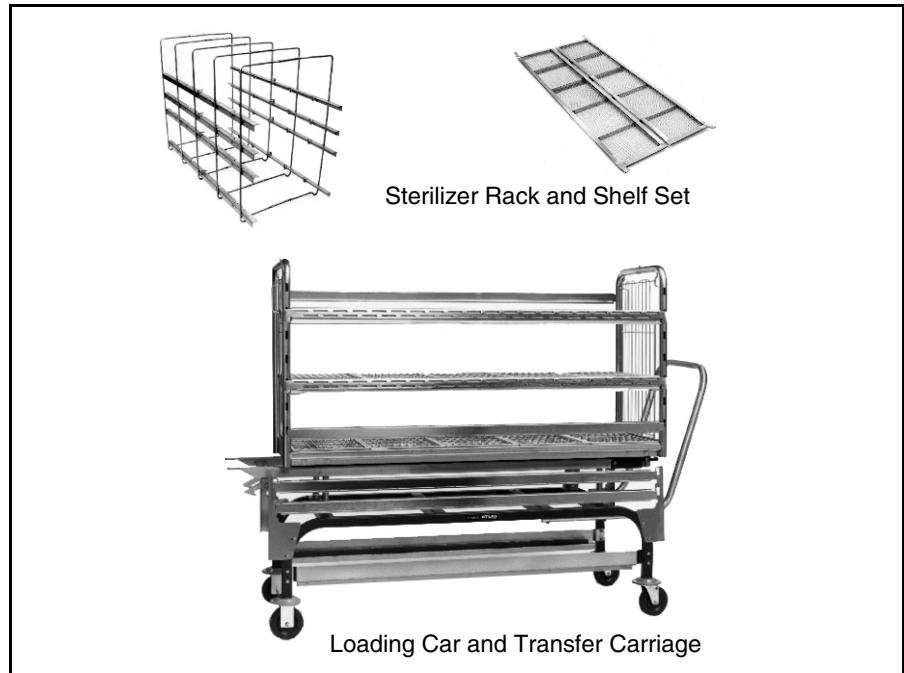
### Shelves

Shelf modules, supports, and side gates are constructed of stainless steel. Each section is welded, suitably reinforced, and designed to allow free passage of sterilant.

Each shelf support pair accommodates three (42" [1066 mm] car), four (54" [1371 mm] car), or five (66" [1676 mm] car) shelf modules, allowing for maximum flexibility of shelf placement. Modular shelves have flanged edges that securely rest on shelf supports.

Each shelf and car has a maximum distributed load capacity (per car) as follows:

- 42" (1066 mm) car – 90 lbs (40.8kg) per shelf, 270 lbs (122.5 kg)



(Typical – details may vary.)

- 54" (1371 mm) car – 120 lbs (54.4 kg) per shelf, 360 lbs (163.3 kg)
- 66" (1676 mm) car – 150 lbs (68 kg) per shelf, 450 lbs (204.1 kg)

To increase productivity, shelf modules can be removed from upper shelf supports allowing tall items to be placed on lower shelves.

Shelf supports and side gates are adjustable to six heights. Three layers of shelf modules, one fixed (bottom) and two adjustable, are furnished as standard. Additional shelves, supports, and side gates are available.

### Transfer Carriage

A welded tubular steel frame with height-adjustable loading car tracks are provided on the top of the transfer carriage. The frame has a push bar handle and is supported by two fixed and two swivel casters with neoprene, non-marking, easy-rolling tires. A revolving neoprene protective bumper is installed above each wheel.

A hand operated latch holds the carriage against the sterilizer or aerator door frame while the loading car is being placed into (or removed from) the chamber. While in position on the carriage, the loading car is secured with a spring loaded latch. Both latches are operated from the handle end of the carriage.

## The Selections Checked Below Apply To This Equipment

### CHAMBER SIZE

- AMSCO® 630LS Hinged Door Sterilizer
  - 26 x 37.5 x 42" (660 x 950 x 1066 mm)
  - 26 x 37.5 x 54" (660 x 950 x 1371 mm)
  - 26 x 37.5 x 66" (660 x 950 x 1676 mm)
- AMSCO® 630LS Horizontal Sliding Door Sterilizer
  - 26 x 37.5 x 42" (660 x 950 x 1066 mm)
  - 26 x 37.5 x 54" (660 x 950 x 1371 mm)
  - 26 x 37.5 x 66" (660 x 950 x 1676 mm)

### ACCESSORIES

- Rack and Two Shelves
  - 26 x 37.5 x 42" (660 x 950 x 1066 mm)
- Additional Shelves Qty: \_\_\_\_
- Atlas™ Loading Car
- Atlas™ Transfer Carriage
  - AMSCO® 630LS Hinged Door Sterilizer
  - AMSCO® 630LS Horizontal Sliding Door Sterilizer

### ACCESSORIES (Continued)

- Extra Shelf Layer  
(Shelf Modules and Shelf Supports)  
Qty: \_\_\_\_
- Extra Shelf Supports Qty: \_\_\_\_
- Extra Side Gates Qty: \_\_\_\_

Item \_\_\_\_\_

Location(s) \_\_\_\_\_

Carriage handle is stainless steel and the frame is painted for corrosion protection.

*NOTE: Transfer carriages (also known as transfer cars) for the 26 x 37.5" (660 x 953 mm) hinged door and for the sliding door sterilizer are not interchangeable. The track and shaft weldment of the hinged and sliding door versions are different. The latch dimension (below the track) is 4-3/8" (112 mm) for the hinged door, and 2-7/16" (60 mm) for the sliding door transfer carriage. For reference purposes, the appropriate part number is labeled on each 26 x 37.5" (660 x 953 mm) transfer carriage and each loading car.*

### **Rack and Shelf Set**

For use with 26 x 37.5 x 42" (660 x 950 x 1066 mm) sterilizers, the rack and shelf set provides loading efficiency for a variety of mixed or single item loads. Shelves are completely removable for processing bulk loads. Rack has guides to accommodate either two or three equally spaced shelves. Two shelves are furnished as standard. Additional shelves are available.

Rack and shelves are constructed from stainless steel. Angle guides with rollers support the shelves. Stops allow each shelf to be withdrawn approximately halfway. Each shelf is welded, suitably reinforced, and designed to allow free passage of sterilant.

### **Preventive Maintenance**

A global network of skilled service specialists can provide periodic inspections and adjustments to help assure low-cost peak performance. STERIS representatives can provide information regarding the annual maintenance agreements.

<p><b>The base language of this document is ENGLISH. Any translation must be made from the base language document.</b></p>
--

## NOTES

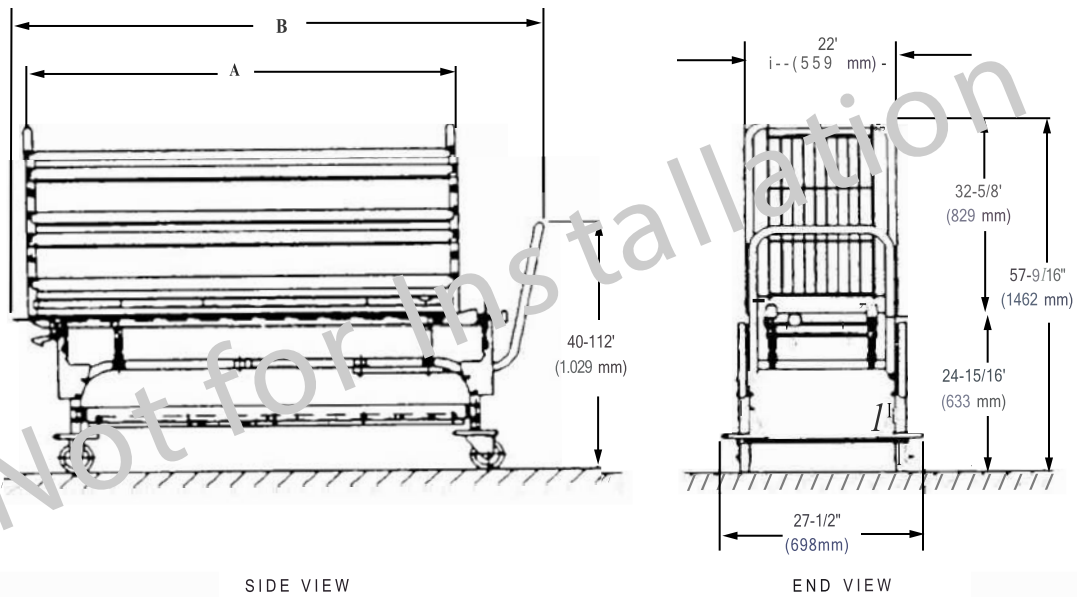
CUSTOMER IS RESPONSIBLE FOR COMPLIANCE WITH APPLICABLE LOCAL AND NATIONAL CODES AND REGULATIONS.

1. Loading car has three layers of modular shelves.
2. Bottom shelf height is fixed; other shelves are adjustable to six heights.

Dimensions shown are typical and subject to change without notice. REFER TO STERIS EQUIPMENT DRAWINGS FOR COMPLETE AND DETAILED INSTALLATION SPECIFICATIONS.

26 x 37.5 Medium Sterilizer  
Loading Car and Transfer Carriage

CHAMBER SIZE	A	B	DISTRIBUTED LOADING CAPACITY	
			LOAD/SHELF	LOAD/CAR
26 x 37.5 x 42" (660 x 950 x 1066 mm)	38-1/2" (978 mm)	51-17/32" (1309 mm)	90 lbs (40.8 kg)	270 lbs (122.5 kg)
26 x 37.5 x 54" (660 x 950 x 1371 mm)	50-1/2" (1283 mm)	63-17/32" (1614 mm)	120 lbs (54.4 kg)	360 lbs (163.3 kg)
26 x 37.5 x 66" (660 x 950 x 1676 mm)	62-1/2" (1588 mm)	77" (1956 mm)	150 lbs (68 kg)	450 lbs (204.1 kg)



---

**For further information, contact:**

 **STERIS**<sup>®</sup> STERIS Corporation  
5960 Heisley Road  
Mentor, OH 44060-1834 • USA  
440-354-2600 • 800-548-4873  
[www.steris.com](http://www.steris.com)